

## Potable water valve, 2-way, Flange

- For potable water applications
- NSF/ANSI 372 - Lead Free
- NSF/ANSI 61 – CLD 23 – Water Quality
- CRN: OC/2102CL
- MSS SP67-2002a



2-year warranty



## Technical data

|                           |                          |   |
|---------------------------|--------------------------|---|
| <b>Functional data</b>    | Valve size [mm]          | 2.5" [65]                                       |
|                           | Fluid                    | Potable water                                   |
|                           | Fluid Temp Range (water) | -30...120°C [-22...250°F]                       |
|                           | Body Pressure Rating     | ANSI Class Consistent with 125, 200 psi CWP     |
|                           | Close-off pressure Δps   | 150 psi   |
|                           | Flow characteristic      | modified equal percentage                       |
|                           | Leakage rate             | 0%  |
|                           | Pipe connection          | Flange<br>for use with ASME/ANSI class 125/150  |
|                           | Installation orientation | upright to horizontal (in relation to the stem) |
|                           | Servicing                | maintenance-free                                |
|                           | Rangeability Sv          | 30:1 (for 30...70° range)                       |
|                           | Flow Pattern             | 2-way   |
|                           | Controllable flow range  | 90° rotation                                    |
|                           | Cv                       | 196   |
|                           | Maximum Velocity         | 12 FPS  |
| Lug threads               | 5/8-11 UNC               |   |
| <b>Materials</b>          | Valve body               | Ductile cast iron ASTM A536                     |
|                           | Body finish              | Epoxy powder coating (black RAL 9005)           |
|                           | Stem                     | 416 stainless steel                             |
|                           | Stem seal                | Buna-N  |
|                           | Seat                     | EPDM  |
|                           | Bearing                  | RPTFE   |
|                           | Disc                     | Aluminum Bronze                                 |
| <b>Suitable actuators</b> | Non Fail-Safe            | AMB(X)  |
|                           | Spring                   | AF  |
|                           | Electrical fail-safe     | GRCB(X)<br>GKRB(X)                              |

## Safety notes



- The valve has to be exercised at least once a week, so that the quality of potable water as well as the functionality are not affected.

Product features

Flow/Mounting details

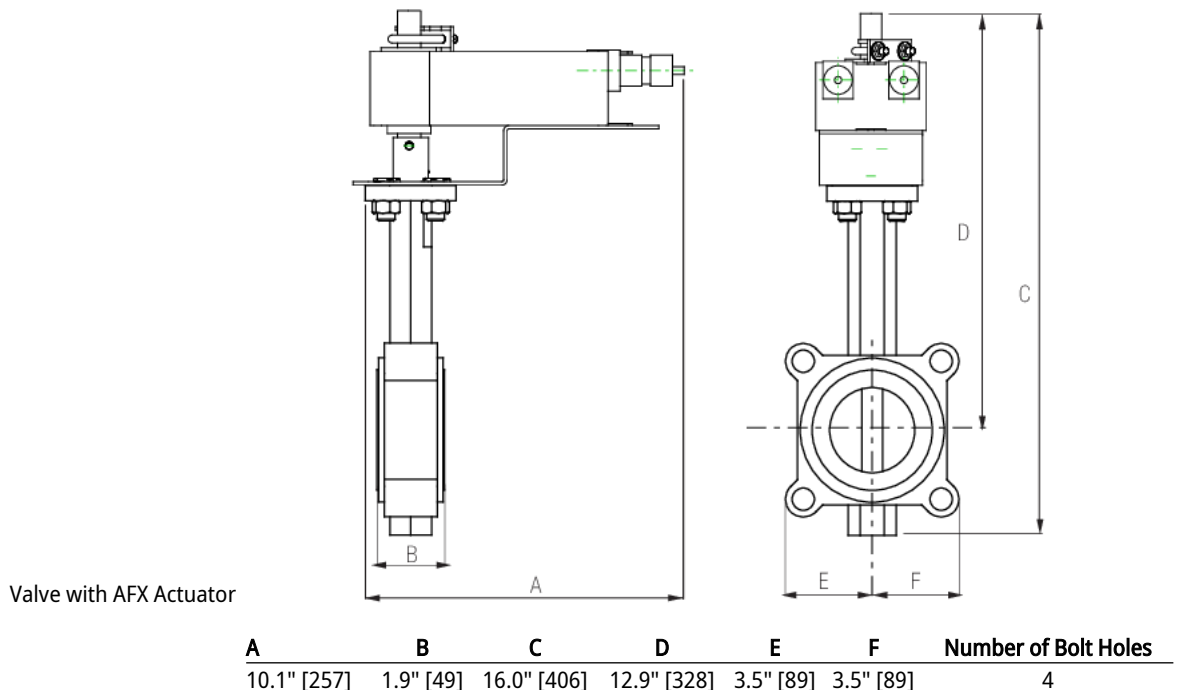


**Operating mode** The valve is adjusted by a rotary actuator. The rotary actuator is connected by an on/off signal. Open the ball valve counterclockwise and close it clockwise.

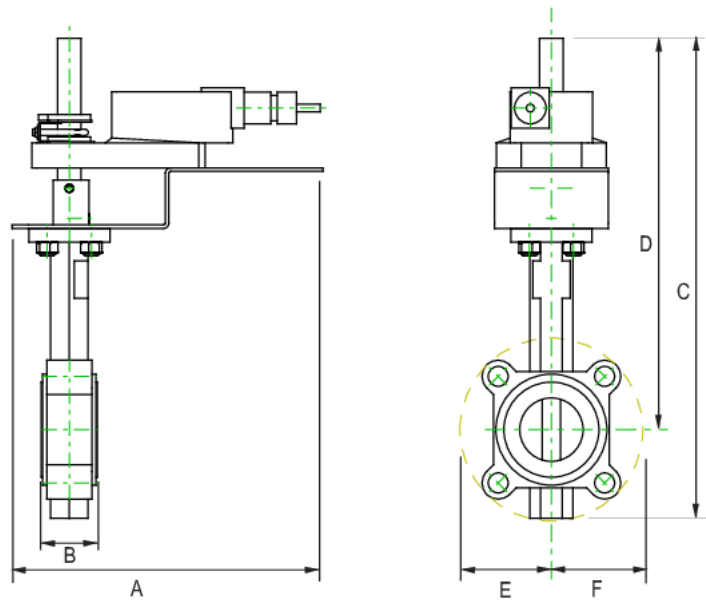
Dimensions

DN  
65

Weight  
□

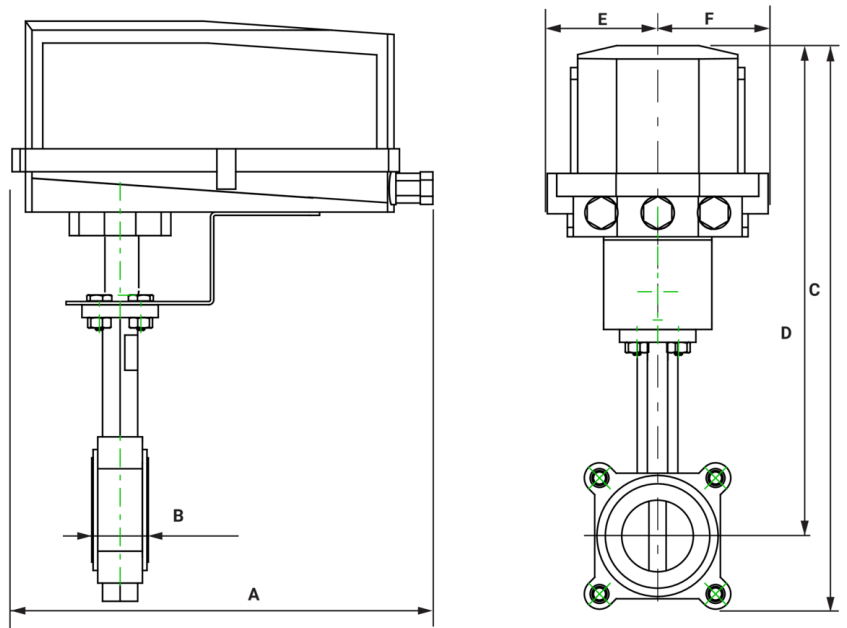


Dimensions



Valve with AM Actuator

| A           | B         | C           | D           | E         | F         | Number of Bolt Holes |
|-------------|-----------|-------------|-------------|-----------|-----------|----------------------|
| 10.1" [257] | 1.9" [49] | 16.0" [406] | 12.9" [328] | 3.5" [89] | 3.5" [89] | 4                    |



Valve with DR N4/GR N4/GK N4 Actuator

| A           | B         | C           | D           | E         | F         | Number of Bolt Holes |
|-------------|-----------|-------------|-------------|-----------|-----------|----------------------|
| 14.1" [358] | 1.9" [49] | 21.7" [550] | 18.5" [470] | 3.4" [86] | 3.4" [86] | 4                    |

On/Off, Floating point, Non fail-safe, 24 V



2-year warranty



## Technical data

|                        |                                    |  |                  |
|------------------------|------------------------------------|--|------------------|
| <b>Electrical data</b> | Nominal voltage                    | AC/DC 24 V   |                  |
|                        | Nominal voltage frequency          | 50/60 Hz   |                  |
|                        | Nominal voltage range              | AC 19.2...28.8 V / DC 21.6...28.8 V  |                  |
|                        | Power consumption in operation     | 2.5 W  |                  |
|                        | Power consumption in rest position | 0.5 W  |                  |
|                        | Transformer sizing                 | 5.5 VA   |                  |
|                        | Electrical Connection              | 18 GA plenum cable, 1 m, with 1/2" NPT conduit connector, degree of protection NEMA 2 / IP54 |                  |
|                        | Overload Protection                | electronic throughout 0...95° rotation   |                  |
| <b>Functional data</b> | Torque motor                       | 20 Nm  |                  |
|                        | Direction of motion motor          | selectable with switch 0/1   |                  |
|                        | Manual override                    | external push button   |                  |
|                        | Angle of rotation                  | Max. 95°   |                  |
|                        | Angle of rotation note             | adjustable with mechanical stop  |                  |
|                        | Running Time (Motor)               | 95 s / 90°   |                  |
|                        | Running time motor note            | constant, independent of load  |                  |
|                        | Running time motor variable        | 90 or 150 s  |                  |
|                        | Noise level, motor                 | 45 dB(A)   |                  |
|                        | Position indication                | Mechanical, 30...65 mm stroke  |                  |
| <b>Safety data</b>     | Power source UL                    | Class 2 Supply   |                  |
|                        | Degree of protection IEC/EN        | IP54   |                  |
|                        | Degree of protection NEMA/UL       | NEMA 2   |                  |
|                        | Enclosure                          | UL Enclosure Type 2  |                  |
|                        | Agency Listing                     | cULus acc. to UL60730-1A/-2-14, CAN/CSA E60730-1:02<br>CE acc. to 2014/30/EU and 2014/35/EU  |                  |
|                        | Quality Standard                   | ISO 9001   |                  |
|                        | UL 2043 Compliant                  | Suitable for use in air plenums per Section 300.22(C) of the NEC and Section 602 of the IMC  |                  |
|                        | Ambient humidity                   | Max. 95% RH, non-condensing  |                  |
|                        | Ambient temperature                | -22...149°F [-30...65°C]   |                  |
|                        | Storage temperature                | -40...176°F [-40...80°C]   |                  |
|                        | Servicing                          | maintenance-free   |                  |
|                        | <b>Weight</b>                      | Weight   | 1.8 lb [0.81 kg] |

Technical data

**Materials** Housing material Galvanized steel and plastic housing

**Footnotes** †Rated Impulse Voltage 800V, Type action 1.B, Control Pollution Degree 3.

Accessories

| Electrical accessories | Description   | Type     |
|------------------------|---|----------|
|                        | Battery backup system, for non-spring return models | NSV24 US |
|                        | Battery, 12 V, 1.2 Ah (two required)                | NSV-BAT  |

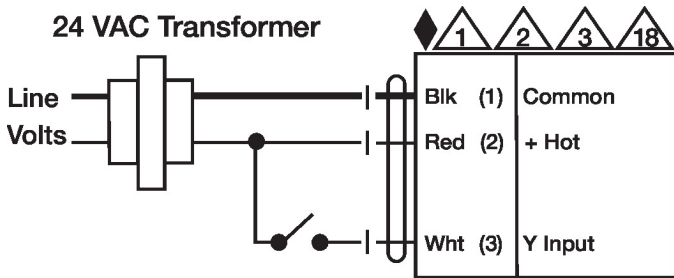
Electrical installation

**✂ INSTALLATION NOTES**

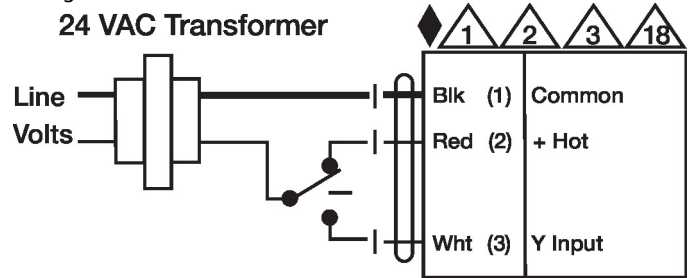
- Ⓐ Actuators with appliance cables are numbered.
- ⚠<sub>1</sub> Provide overload protection and disconnect as required.
- ⚠<sub>2</sub> Actuators may be connected in parallel. Power consumption and input impedance must be observed.
- ⚠<sub>3</sub> Actuators may also be powered by DC 24 V.
- ⚠<sub>6</sub> Actuators Hot wire must be connected to the control board common. Only connect common to neg. (-) leg of control circuits. Terminal models (-T) have no-feedback.
- ⚠<sub>18</sub> Actuators with plenum cable do not have numbers; use color codes instead.
- ◆ Meets cULus requirements without the need of an electrical ground connection.
- ⚠ **Warning! Live electrical components!**  
During installation, testing, servicing and troubleshooting of this product, it may be necessary to work with live electrical components. Have a qualified licensed electrician or other individual who has been properly trained in handling live electrical components perform these tasks. Failure to follow all electrical safety precautions when exposed to live electrical components could result in death or serious injury.

Wiring diagrams

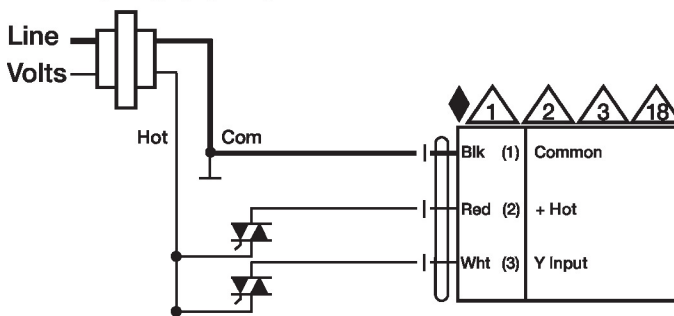
On/Off



Floating Point



24 VAC Transformer



Floating Point - Triac Sink

